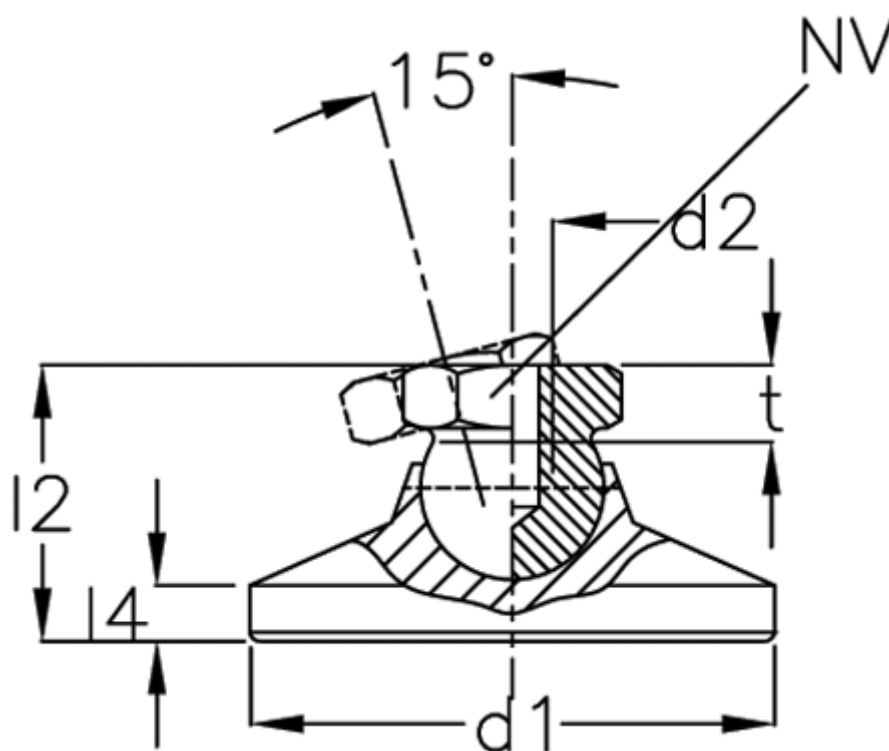


Article number: 20343160M16KS

Description: E+G levelling foot
GN 343.1-60-M16-KS

Measures



d1	= 60
d2	= 16
l2	= -
l4	= -
NV	= 24
Static load (kN)	= 62
t min	= 16